

Precise and Simple Pallet Weighing

Rugged, Fast and Easy to Use



Ergonomic Full-Function Handle

- Easy to Lift
- Easy to Move
- Easy to Weigh



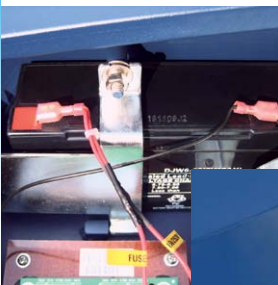
Turning Wheel

- Effortless steering
- Easily ride over uneven surfaces



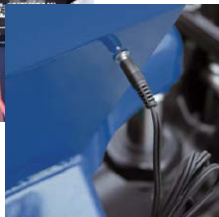
Terminal

- Large 7-digit LCD display
- Low power consumption and automatic shut off
- Five standard keys plus two free definable function keys



Battery

- 6V DC, 10Ah
- Operating time: 95 hours
- Charging time: 8-12h



BTA231 Pallet Truck Scale

Precise and Simple Pallet Weighing

The mobile battery-powered solution for pallet weighing in one easy step. The BTA231 Pallet Truck Scale is the ideal solution for fast and precise mobile weighing in industrial and warehousing applications.

Technical data

BTA231 Pallet Truck Scale

Display

7 digit bright LCD 40mm high

Precision

0.1% maximum deviation from measuring range

Readability (not approved)

2 lb

Key Pad

6 function tactile keypad

Battery with Charger

6VDC, 10Ah

95 hours operating time

8~12 hours charging time

Pallet Truck Construction

Mild steel

Load Cell Capacity

1 ton x 4, 2mV/V

Lifting Height

4.5"

Fork Height

Lowered: 3"

Raised: 7.5"

Fork Length

48"

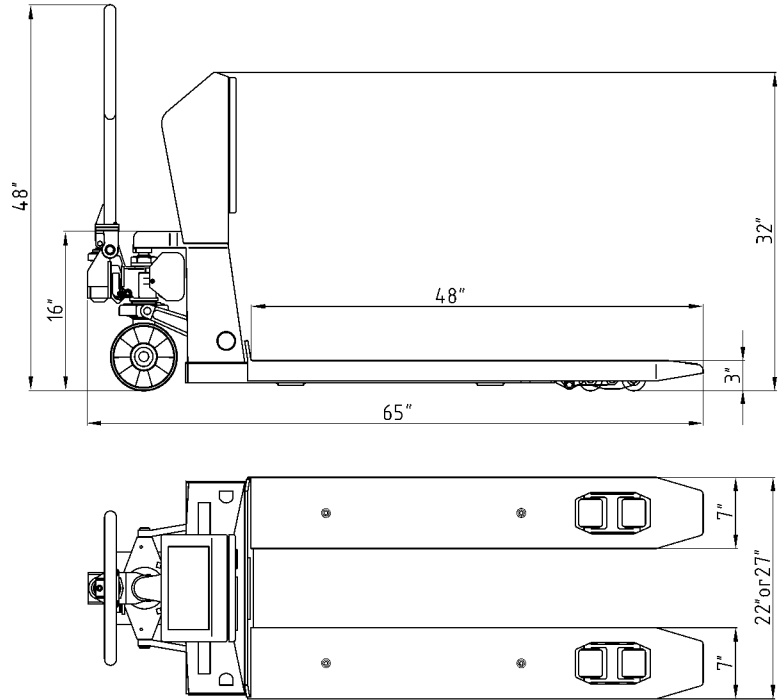
Single Fork Width

7"

Operating Temperature

14°F to 104°F (-10°C to +40°C)

<85% humidity



Pallet Truck Scale

Item	Model	Capacity [lb]	Display Resolution [lb]	Fork Size (w x l) [in]	Shipping Information			
					Length[in]	Width[in]	Height[in]	Weight[lbs]
30084522	BTA231-555U	4,000	2	22 x 48	66.9"	28.7"	39.4"	375
30084523	BTA231-690U	4,000	2	27 x 48	66.9"	28.7"	39.4"	375

Mettler-Toledo Inc.

1900 Polaris Parkway
Columbus, OH, 43240
Tel. (1) 800 523 5123

Subject to technical changes
© 06/2013 Mettler-Toledo LLC.
MTSI 30088268

www.mt.com/BTA231

For more information